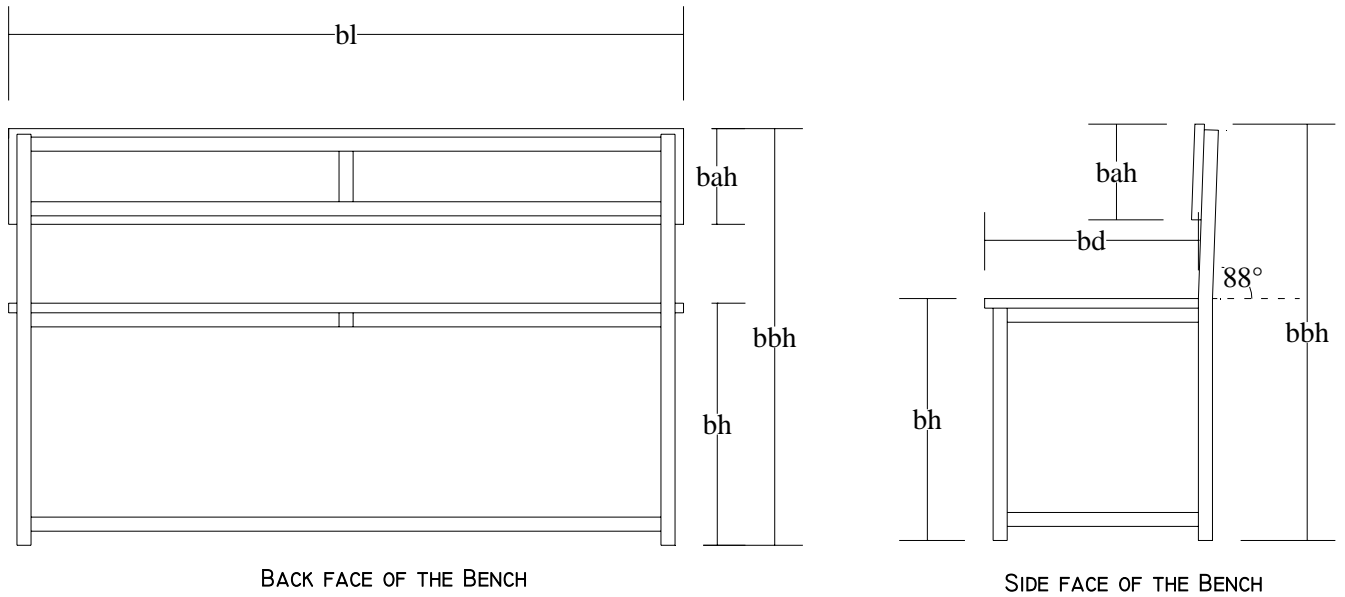


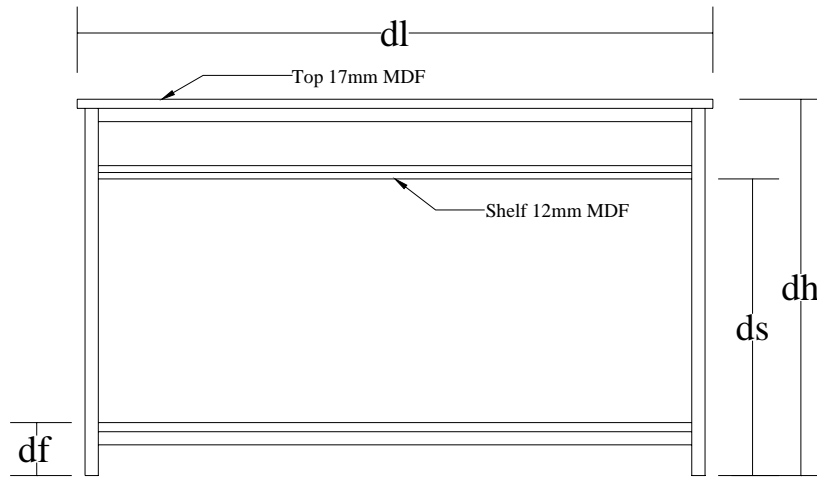
Specification of Furniture



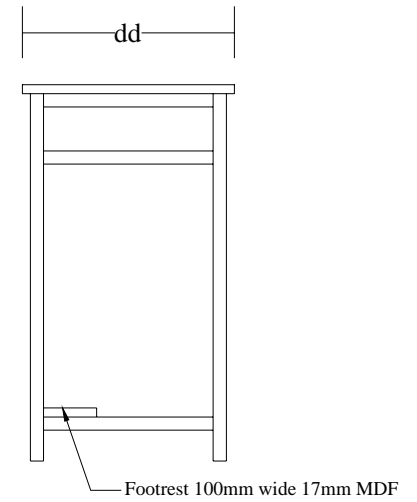
Details of Bench and Chair

S.No.	Description of Furniture	Dimension in mm				
		bh	bl	bd	bbh	bah
1	Bench type B1	350	1200	300	630	170
2	Bench type B2	380	1200	340	660	170
3	Bench type B3	430	1200	380	740	200
		ch	cl / cbl	cd	cbh	bh
4	Chair type C0	300	280	270	540	140

All the supporting vertical and horizontal members are 25mm X 25mm MS / cold rolled IIL Karachi powder coated black colour texture square pipes of thickness 1.2mm. The top board for the bench is 17mm green coloured (as per UNESCO requirement). The back of the bench is of 12mm MDF green coloured board and should be inclined to 2° slope. Dimension "bh"; "bl"; "bd"; "bbh" and "bah" represents height of bench, length of bench; depth of bench; back height of bench and height of the back rest respectively. 25X25mm MS square pipes parallel to the width of the bench are to be placed in the central portion of the bench at sitting level and back rest.



FRONT FACE OF THE DESK



SIDE FACE OF THE DESK

Details of Desk

S.No.	Description of Furniture	Dimension in mm				
		dh	dl	dd	ds	df
1	Desk type D0	520	1800	750	-	-
2	Desk type D1	590	1200	400	470	100
3	Desk type D2	640	1200	400	500	100
4	Desk type D3	710	1200	400	560	100

All the supporting vertical and horizontal members are 25mm X 25mm MS / cold rolled IIL Karachi powder coated black colour texture square pipes of thickness 1.2mm. The top board and the shelf is of 17mm green coloured MDF board (as per UNESCO requirement). The foot rest is of 12mm MDF board supported on 1.2mm thick 25X25mm MS / cold rolled IIL Karachi steel. The front and back of the desk should have a height difference of 25mm (the dimension "dh" represents the front height). Dimension "ds"; "df"; "dl" and "dd" represents height of shelf, height of foot rest; length of the desk and width of the desk respectively. 25X25mm square pipes parallel to the width of the desk are to be placed at the central portion of the desk at top, shelf level and footrest rest level in addition to the above members.

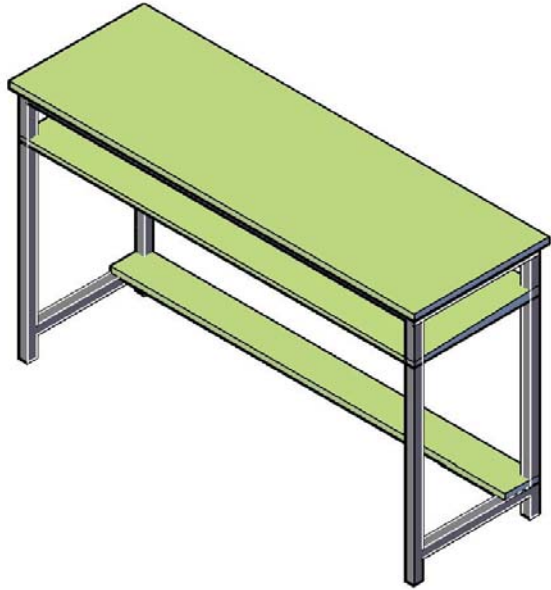
Details of Table

S.No.	Description of Furniture	Dimension in mm				
		Length	Width	Height		
1	Head Master / Principal	1600	800	730		
	Structure size is 1580 X 710 X 730mm; Top portion is of 19mm thick one side pre-laminated brown colour board. One side drawer box consisting of 3 drawers. Top drawer to be fitted with standard lock. Drawer box should be made of 19mm thick pre-laminated board and should be fitted with best quality imported channel. Table back and one side closed with panels. All the legs should be fitted with rubber shoes of good quality.					
		Dimension in mm				
		Length	Width	Height		
2	Staff Room Table	1525	915	760		
	Structure size is 1475 X 865 X 730mm; Top portion is of 19mm thick one side pre-laminated brown colour board. All the legs should be fitted with rubber shoes of good quality.					
		Dimension in mm				
		Length	Width	Height		
3	Teacher / Office Table	1200	600	760		
	Structure size is 1180 X 550 X 730mm; Top portion is of 19mm thick one side pre-laminated brown colour board. One side drawer box consisting of 2 drawers. Top drawer to be fitted with standard lock. Drawer box should be made of 19mm thick pre-laminated board and should be fitted with best quality imported channel. Table back and one side closed with panels. All the legs should be fitted with rubber shoes of good quality.					
		Dimension in mm				
		Length	Width	Height		
4	Computer Table	1525	610	760		
	Structure size is 1500 X 585 X 730mm; Top portion is of 19mm thick one side pre-laminated board of brown colour. One CPU box; one keyboard holder having wooden handle and one drawer (lockable) made of 19mm pre-laminated board of brown colour. Top drawer to be fitted with standard lock. Drawer box should be made of 19mm thick pre-laminated board and should be fitted with best quality imported channel. Table back and one side closed with panels. All the legs should be fitted with rubber shoes of good quality.					
		Dimension in mm				
		Length	Width	Height		
5	Laboratory / Library Table 1	1525	915	760		
	Structure size is 1475 X 865 X 730mm; Top portion is of 19mm thick one side pre-laminated brown colour board. All the legs should be fitted with rubber shoes of good quality. Two (2) switch (3 pins) 15 Ampere electric points.					
		Dimension in mm				
		Length	Width	Height		
6	Library Table 2	1525	600	760		
	Structure size is 1475 X 550 X 730mm; Top portion is of 19mm thick one side pre-laminated brown colour board. All the legs should be fitted with rubber shoes of good quality. Two (2) switch (3 pins) 15 Ampere electric points.					
<p>All the supporting vertical and horizontal members are 25mm X 25mm MS / cold rolled IIL Karachi powder coated silver colour square pipes of thickness 1.2mm. 25X25mm square pipes parallel to the width of the desk are to be placed at the central portion of the table. The corner should be bevelled or provided with pine wood seasoned beads all around.</p>						

Details of Chair

S.No.	Description of Furniture	Dimension in mm				
		Length	Width	Height		
1	Head Master / Principal	520	520	840		
	Standard executive chairs made of metallic frame with rollers at the bottom of the legs; foam at seat and back rest portion covered by good quality rexin. The seat height should be readjustable by means of lever attached below the seat.					
		Dimension in mm				
		Length	Width	Height		
2	Teacher / Office	520	450	780		
	Seat size is 468 X 440mm at a height of 450mm of pine seasoned wood of 20mm thick fitted on mettalic chair structure. All the vertical and horizontal members should be of 25X25mm MS / cold rolled IIL Karachi silver paint / powder coated square pipes of thickness 1.2mm. There should be two arm rest at a height of 645mm. The size of the arm is 419 X 50 X 20mm pine seasoned wood fitted on the top of MS square ppe. All corners and edges are to be bevelled / chamfered. Back rest size should be 470 X 170mm. All the legs should be fitted with rubber shoes of good quality.					
		Dimension in mm				
		Length	Width	Height		
3	Library Chair	450	450	780		
	Seat size is 440 X 440mm at a height of 450mm of pine seasoned wood of 20mm thick fitted on mettalic chair structure. All the vertical and horizontal members should be of 25X25mm MS / cold rolled IIL Karachi silver paint / powder coated square pipes of thickness 1.2mm. All corners and edges are to be bevelled / chamfered. Back rest size should be 440 X 170mm. All the legs should be fitted with rubber shoes of good quality.					
		Dimension in mm				
		Length	Width	Height		
4	Stool	315	315	450		
	Seat size is 315 X 315mm at a height of 450mm of pine seasoned wood of 20mm thick fitted on mettalic chair structure. All the vertical and horizontal members should be of 25X25mm MS / cold rolled IIL Karachi silver paint / powder coated square pipes of thickness 1.2mm. All corners and edges are to be bevelled / chamfered. All the legs should be fitted with rubber shoes of good quality.					

Desk

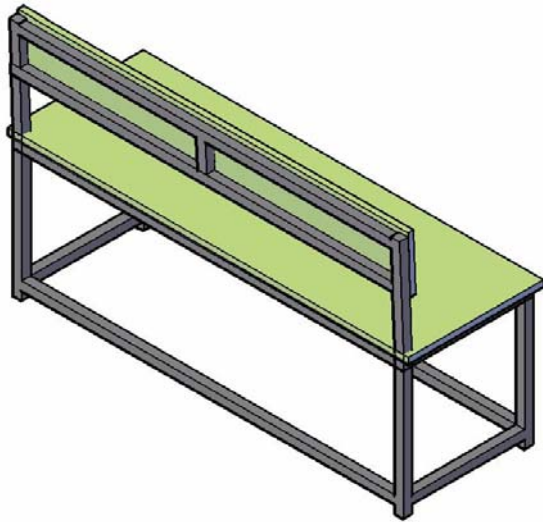


Front view

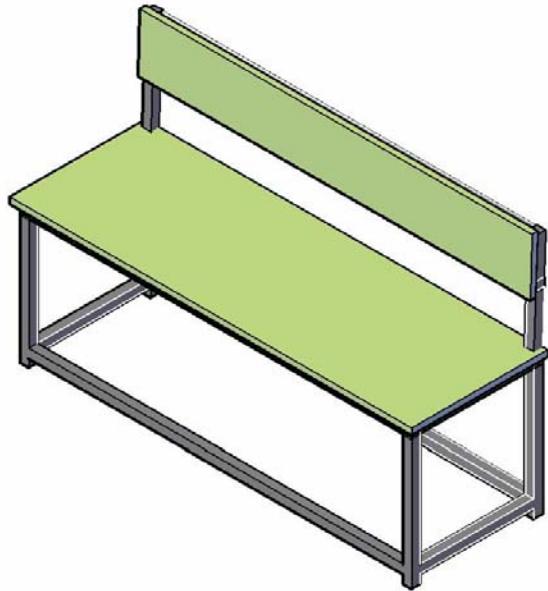


Back view

Bench



Back view



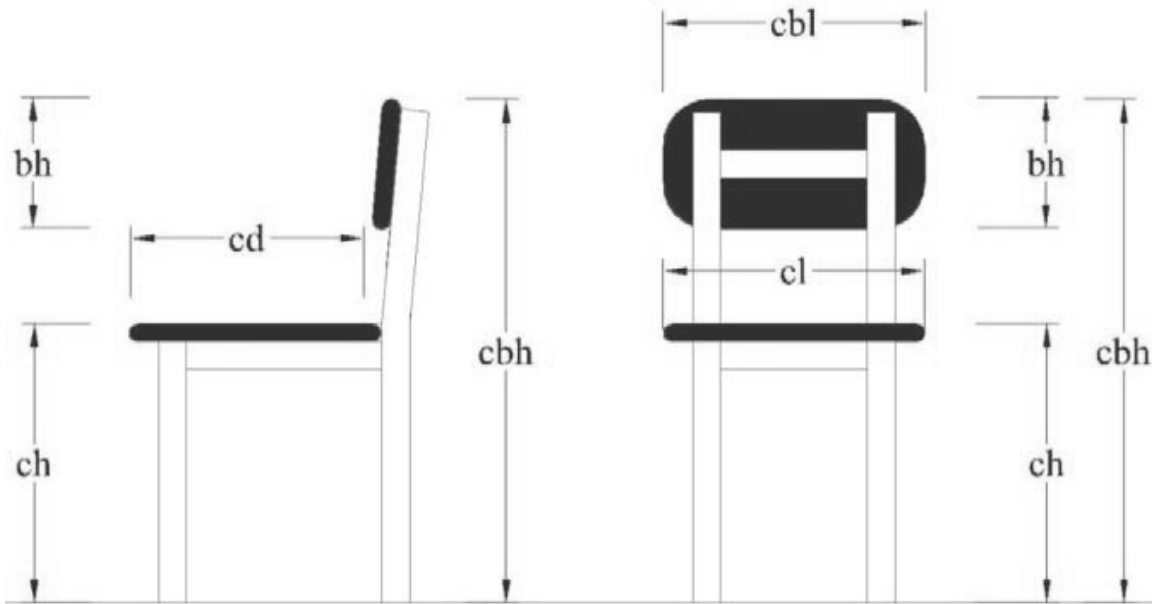
Front view

Chair C0



Chair C0

ch = 300 cl = 280 cd = 270
cbh = 540 cbl = 280 bh = 140



Side view

Back view